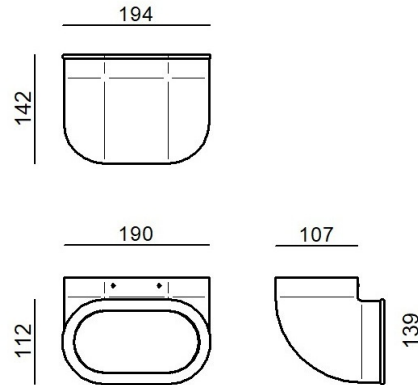


Wall Lights | 198-264 V  
 1 topLED 25 W DC - 26 W AC | CRI 90  
**CZ152DWWMDI**



Technical data	
Designer	Gae Aulenti
Construction year	2026
Type	Wall Lights
Installation position	Wall lights
Installation environment	Indoor
Light Source	LED
Circuit structure	topLED
Optics	Diffused
Light emission direction	upward
Nominal power	25 W DC
Total Power	26 W
Source lumens	3291 lm
Nominal input voltage	220 - 240 V AC
Input voltage range	198 - 264 V AC
Frequency	50 - 60 Hz
CCT / Tone	2700 K
Colour rendering index	90 Ra
C.C. / C.V.	AC
Safety class	1
IP	IP20
Glow wire test	850°
Direct mounting on normally flammable surfaces	Yes
CE	Yes
Driver included	Driver
Dimmable article	Phase cut
Directional	No
Tilting	No
Walk-over	No
Drive-over	No
Cable included	No
Resin potting	No
Type of light emission	Single emission
Electrostatic discharge protection	No
Surge protection	No

Finishing Finishing casing	
Material	Aluminium
Colour	Text off-white (R9010)
Processing	Coating
Finishing Finishing diffuser	
Material	PC
Processing	Satin finishing
Finishing Finishing mounting frame	
Material	Aluminium
Colour	Text off-white (R9010)
Processing	Coating

Wall Lights | 198-264 V | 1 topLED 25 W DC - 26 W AC | CRI 90 | Base **CZ152DWWMDI**

Single emission wall lights for indoor application. The super warm white LED light source with a diffused light distribution is composed of 60 topLEDs with CCT of 2700 K and a CRI 90; the source luminous flux is 3291 lm, with a 131.6 lm/W nominal luminous efficacy.

The device body is made of aluminium and features a text off-white (r9010) finish, processed by means of coating; the diffuser is made of PC with a satin finishing treatment; the mounting frame is made of aluminium, with a text off-white (r9010) finish, processed by means of coating.

The ingress protection degree is IP20;

The total absorbed power is 26 W

The device features protection class I and can be wall lights-mounted.

Compliant with the EN 60598-1 standard and its specific provisions.

**Energy efficiency class**

This product contains a light source of energy efficiency class E.

**Illuminotechnical Features**

Light Output Ratio (LOR)	61 %
Source lumens	3291 lm
Delivered lumens	2029 lm
Consumption	26 W
Luminaire efficacy	78 lm/W
Colour temperature	2700 K
Standard Deviation of Colour Matching	3 Step MacAdam
Colour rendering index	90 Ra
Junction temperature (lighting fixture)	80
Standard Operating Ambient Temperature	25°C

**LED Life / Failure Ratio**

L70 B10 C0 102000h (at Tj 115 Ta 25 )

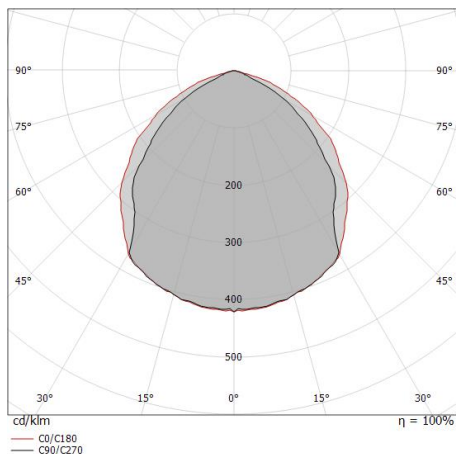
L90 B10 C0 55000h

**UGR**

UGR axial	23.6
UGR transversal	26.1
X=4H   Y=8H	S=0.25H
Reflection factor	70/50/20

**OPTICAL**

C90/C270 optics	94°
C0/C180 optics	109°
Light distribution symmetry	Symmetrical 2 axis



Distance [m]	Cone diameter [m]	illuminance [lx]
0.5	1.07 1.39	E(0°) 3413 E(C90) 547 E(C0) 340
1.0	2.14 2.78	E(0°) 853 E(C90) 137 E(C0) 85
1.5	3.21 4.17	E(0°) 379 E(C90) 61 E(C0) 38
2.0	4.27 5.57	E(0°) 213 E(C90) 34 E(C0) 21
2.5	5.34 6.96	E(0°) 137 E(C90) 22 E(C0) 14
3.0	6.41 8.35	E(0°) 95 E(C90) 15 E(C0) 9

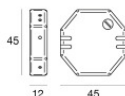
— C0/C180 (Half-peak divergence: 108.6°)  
- - C90/C270 (Half-peak divergence: 93.8°)

Gomito | Wall Lights | Accessories  
**CZ152DWWMDI**



Dimmer - Phase cut CASAMBI - Essential for dimming the lamp with Casambi  
 Radio-frequenza, 85-240V

**Code**  
KIT0080



Dimmer - Phase cut (Max 100W) - Essential for dimming the lamp  
 220-240V

**Code**  
KIT0026