





SIMPLEX



SIMPLEX WITH BACKREST

SIMPLEX CHAIR BY OSCAR TUSQUETS

Simplex was born from a design challenge: how simple can a chair become?

Designed by Oscar Tusquets, Simplex is a chair reduced to a few, essential elements: a continuous tubular structure that begins at the backrest and extends down into the front legs, a round wooden seat, and a precise system of connections that allows such a minimal structure to exist. Its slender rear legs and suspended backrest create an unusual sense of lightness, almost as if the chair were suspended in space itself. Reduced to very few elements, Simplex appears almost weightless while remaining remarkably grounded and stable. The continuous backrest recalls familiar café chairs like the classic Thonet, while the circular seat references Enzo Mari's Tonietta. Rather than 'reinventing the chair', Simplex reinterprets familiar forms through reduction, lightness, and exceptional stackability.



SIMPLICITY AS A DESIGN CHALLENGE

Designed as an exercise in reduction, pushing simplicity to its limit. Built from only a few essential elements, removing anything deemed unnecessary.

VISUALLY AND PHYSICALLY LIGHT

Unusually light for a stackable chair, both visually and in weight. Suspended backrest, slender rear legs and open structure create a chair with an almost weightless presence.

HIGHLY STACKABLE

Extreme reduction becomes a practical advantage. Lightweight structure and precise engineering allow efficient stacking without adding visual bulk.

OPEN BY DESIGN

Separation between seat and backrest allows air and light to flow through the structure, giving it an almost transparent presence around a table.

STABLE IN USE & DELICATE IN APPEARANCE

Slender proportions and minimal structure are carefully engineered to achieve strength and stability without visual heaviness. Tested according to European standards for users up to 110 kg.

FAMILIAR REFERENCES

Continuous backrest recalls classic Thonet café seating, while the circular seat references Enzo Mari's Tonietta.

INDOOR AND EVOLVING

Originally developed for indoor use and currently being adapted for outdoor environments.

OPTIONAL WOODEN BACKREST

Additional wooden backrest available for increased support and comfort during longer sitting periods.







OYSTER WHITE
RAL 7033



CEMENT GREY
RAL 1013



BLACK
RAL 9011

MATERIALS

Seat made in beech plywood and stained in three colours: oyster white (RAL 1013), cement grey (RAL 7033) and black. Structure made of steel tubes powder-coated in satin finish, matching the wood color. The seat is attached to the metal frame using four plastic spacers, which also help protect the wooden seat during stacking.

Feet equipped with plastic glides.

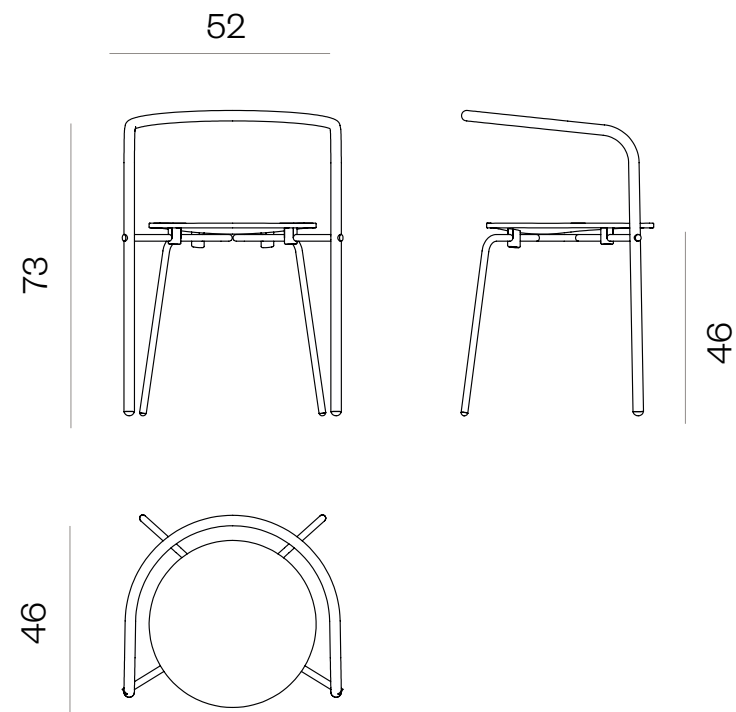
Optionally, an extra backrest made of beech plywood stained with the same finish as the seat can be added.

The chairs are stackable even with the extra backrest (4 chairs maximum).

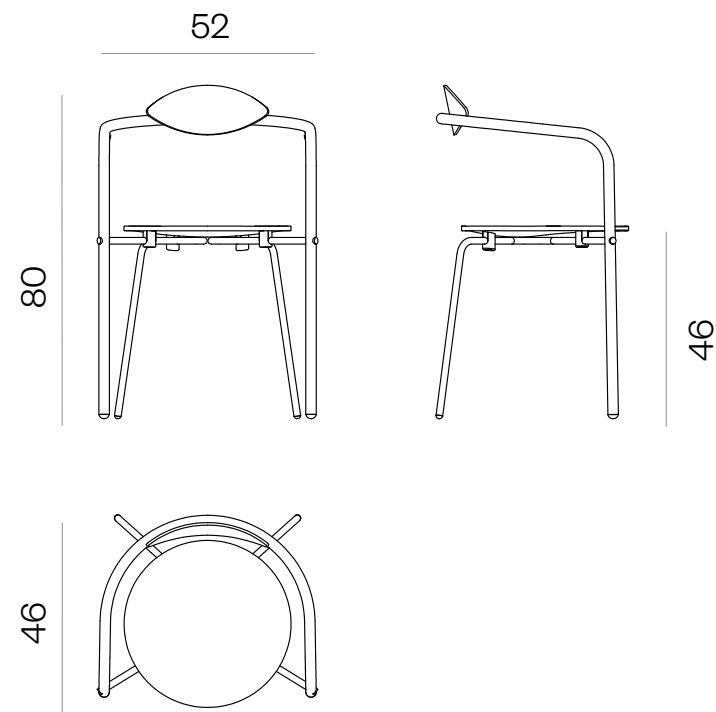
MEASUREMENTS

52 x 46 x h. 73/80 cm
20.5" x 18.1" x h. 28.7"/31.5"

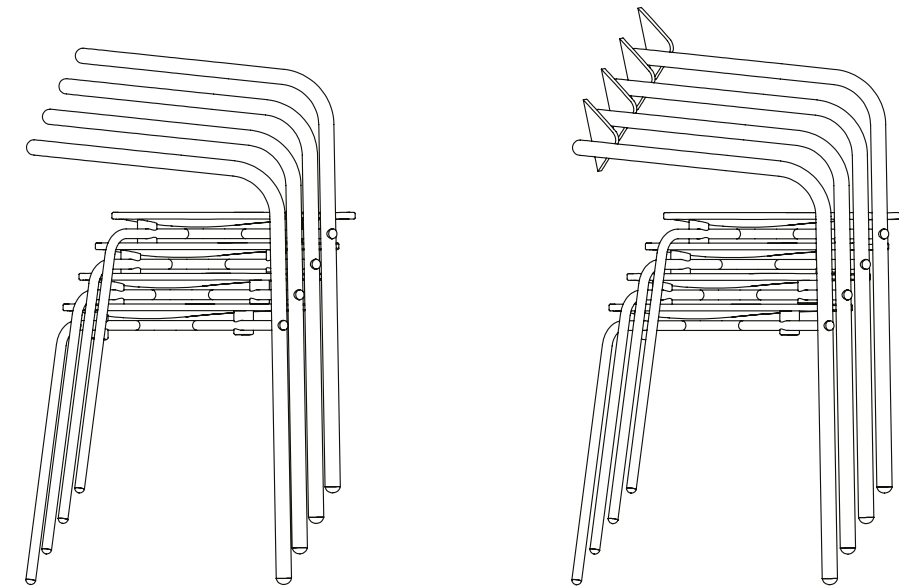
SIMPLEX



SIMPLEX WITH BACKREST



STACKABILITY (4 CHAIR MAXIMUM)



AVOCADO TOST
NOT CLUB SANDWICH
TORTILLA & SALMON
POLLO BASMATI
HUEVOS & COTTAGE
PULLED PORK SANDWICH
YUCA STICKS
SPECIALTY COFFEE
ICED MATCHA
CHAI







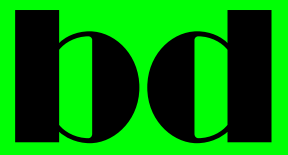
CATALOGUE

IMAGES

2D

3D

TECHNICAL SHEET



BD BARCELONA
RAMON TURRÓ 126, 08005 BARCELONA (SPAIN)
(+34) 93 457 00 52
SALES@BDBARCELONA.COM
BDBARCELONA.COM